

DYNAGATE®

▪ Reliable ▪ Durable ▪ Economical



Manufactured under Europe Standard

Dyna PL600 / PL1000 DC SLIDING GATE OPENERS FOR GATES UP TO 600KG/1000KG

Dyna PL600 / PL1000 electro-mechanical DC24V sliding gate openers with back-up batteries are specially designed for residential and commercial application. Its advance electronic control board built-in with selectable over-current and speed functions provide flexibilities for individual preference.



PL600
Gear Motor



PL1000
Gear Motor

Optional Accessories



PH-1
Photocells



PR-1
Transmitter



TM-3
4-Channel
Transmitter



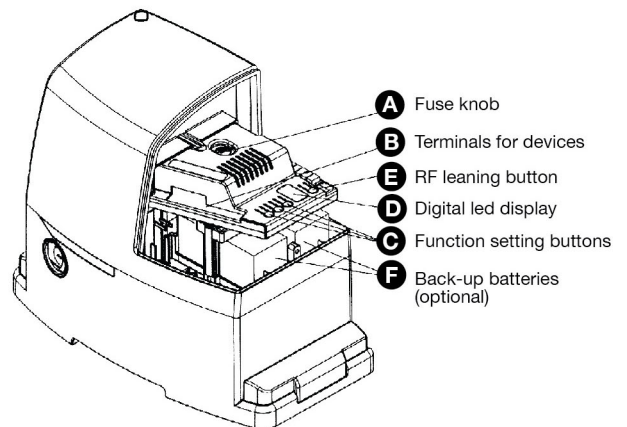
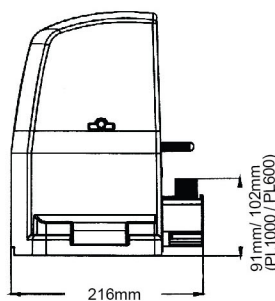
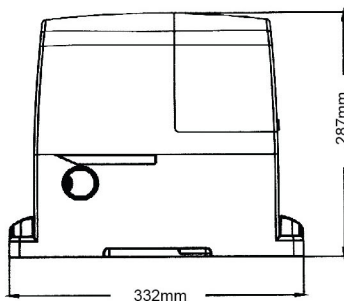
PRB-1
Receiver Box

Specifications:

	Dyna PL600	Dyna PL1000
Motor	24Vdc motor with mechanical release	24Vdc motor with mechanical release
Gear type	Worm gear	Worm gear
Peak thrust	6500N	10500N
Nominal thrust	6000N	10000N
Power supply	24V dc	24V dc
Nominal input power	2.5A	2.5A
Maximum operating current	5.5A for maximum 10 seconds	5.5A for maximum 10 seconds
Maximum gate weight	600 kg per leaf	1000 kg per leaf
Maximum gate length	8 meters	12 meters
Duty cycle	20%	20%
Operating Temperature	-20°C~+50°C	-20°C~+50°C
Dimension	333mm *216mm *287mm	333mm *216mm *287mm
Weight	10.2kg	10.4kg
Main power supply	230Vac/50Hz	230Vac/50Hz
Back-up battery	2 pcs 12V 1.2AH batteries for emergency operation	2 pcs 12V 1.2AH batteries for emergency operation
Transformer	6Amp 24V AC	11.4Amp 24V AC
Receiver board	433.92MHz; 200 transmitters memory	433.92MHz; 200 transmitters memory

PR-1 Radio Transmitter

Application	Radio transmitter for remote control of PL600/PL1000
Frequency	433.92Mhz
Coding	Rolling code
Buttons	2, for 2 and partial opening
Power Supply	6V with two CR2032 type lithium batteries
Operating Temperature	-20°C~+50°C
Dimension	71.5mm *33mm *14mm



Optional:

Photocells

Detection type	Through beam
Operating distance	30 meters
Response time	100ms
Input voltage	AC/DC 12~24V
Operating Temperature	-20°C~+60°C
Protection class	IP66
Dimension	59mm *87mm *38mm

All specifications are subject to change without prior notice.

